

INSTRUCTION

EASY-CLOSE Gate

Model 4910

IMPORTANT: KEEP FOR FUTURE REFERENCE

Read the entire Instruction before assembling and installing this product.
If you sell or give away this product, make sure you give this Instruction to the new owner.
Thank you.

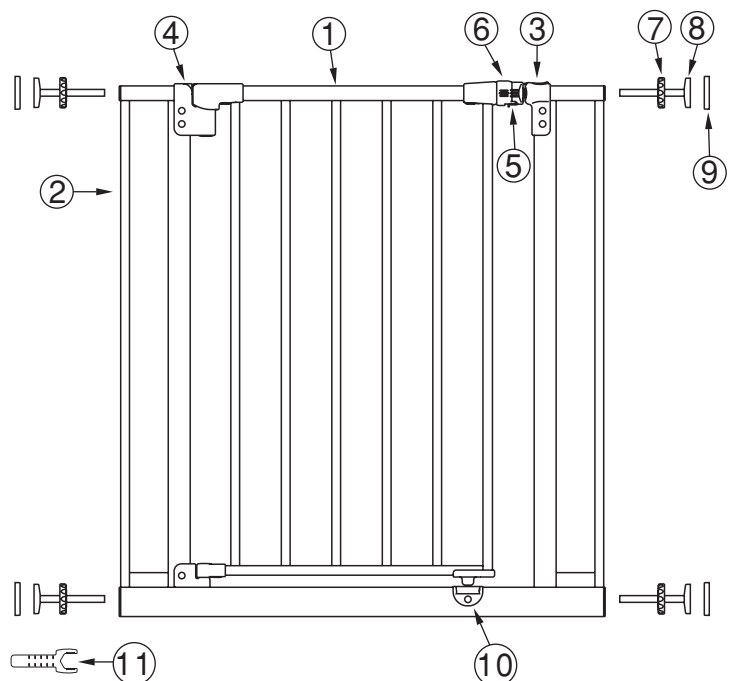
This safety gate complies with ASTM F-1004

⚠️ WARNING

1. Never leave child unattended. This product may not prevent all accidents.
2. This product is intended for use with children from 6 to 24 months of age.
3. Never use with a child able to climb over or dislodge/open this gate.
4. To prevent falls, never use at top of stairs.
5. This safety gate shall not be fitted across window openings and the like.
6. Never use without mounting cups.
7. To prevent serious injury or death, securely install gate and use according to manufacturer's instructions.
8. Use only with locking/latching mechanism securely engaged.
9. Do not use the safety gate if any components are damaged or missing.
10. Install this gate away from open flames and heat sources.
11. Hardware and mounting cups are included for use in solid materials only such as wood or metal.

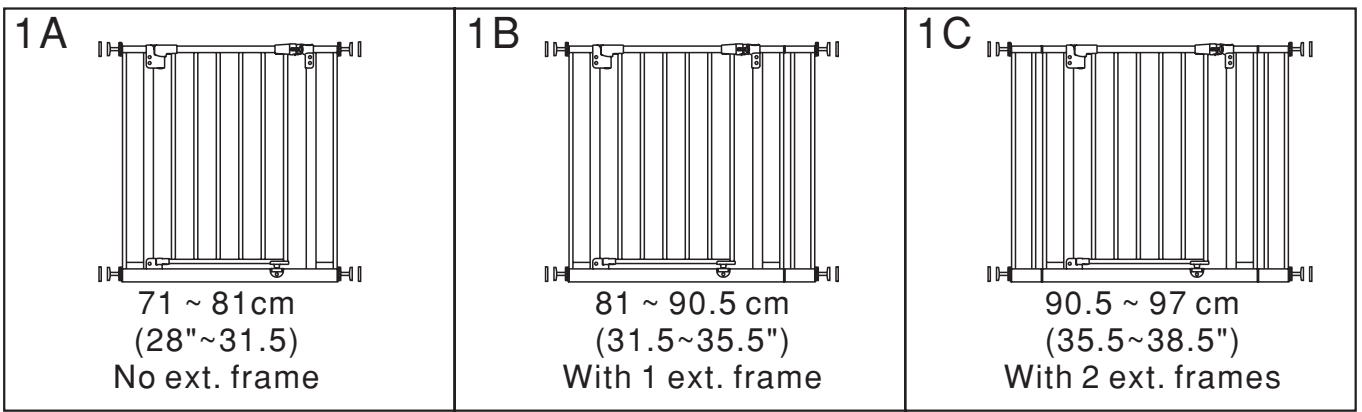
Parts List

NO.	Parts Name	Qty.
1	gate panel	1
2	gate frame	1
3	right upper corner	1
4	left upper corner	1
5	release button	1
6	locking handle	1
7	tension knobs	4
8	bolts with rubber pads	4
9	mounting cups	4
10	lower locking rod	1
11	wrench	1



Installation and operation

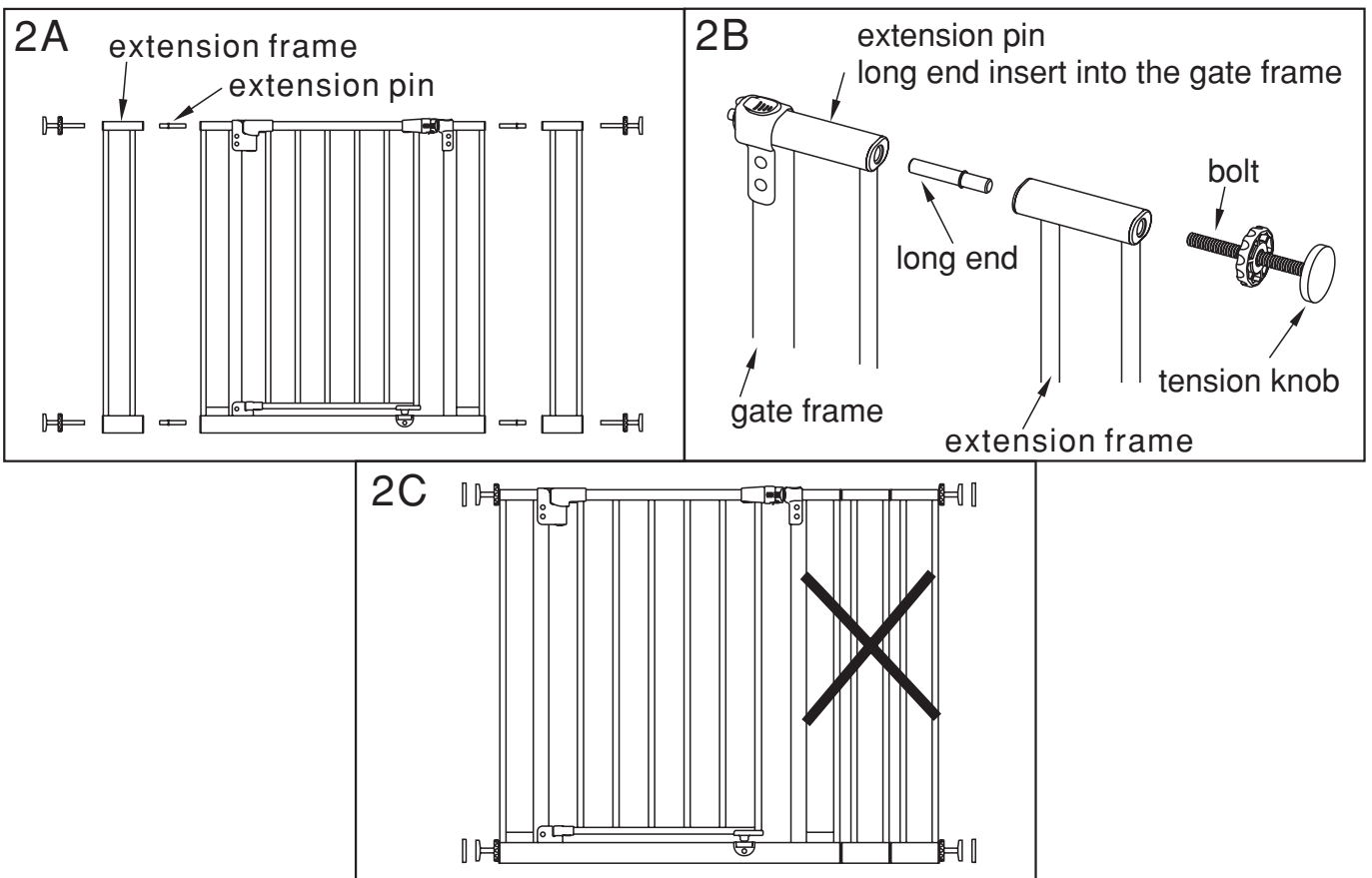
1. Measure the width of the opening where you intend to install the gate. Please refer to the following diagrams (1A, 1B, 1C) to determine the correct installation configuration.



2.To use with extension frames, please follow the steps below. First, insert the extension pins into the holes on the outside of the gate frame. Note: the long ends of the pins go into the gate frame, while the short ends go into the long ends of the extension frames (2B). Next, slip the extension frames over the pins. Finally, slide the tension bolts with rubber pads completely into the holes on the outside of the extension frames (2A) (2B).

⚠ WARNING

Do not install two extension frames on the same side of the gate [2C].

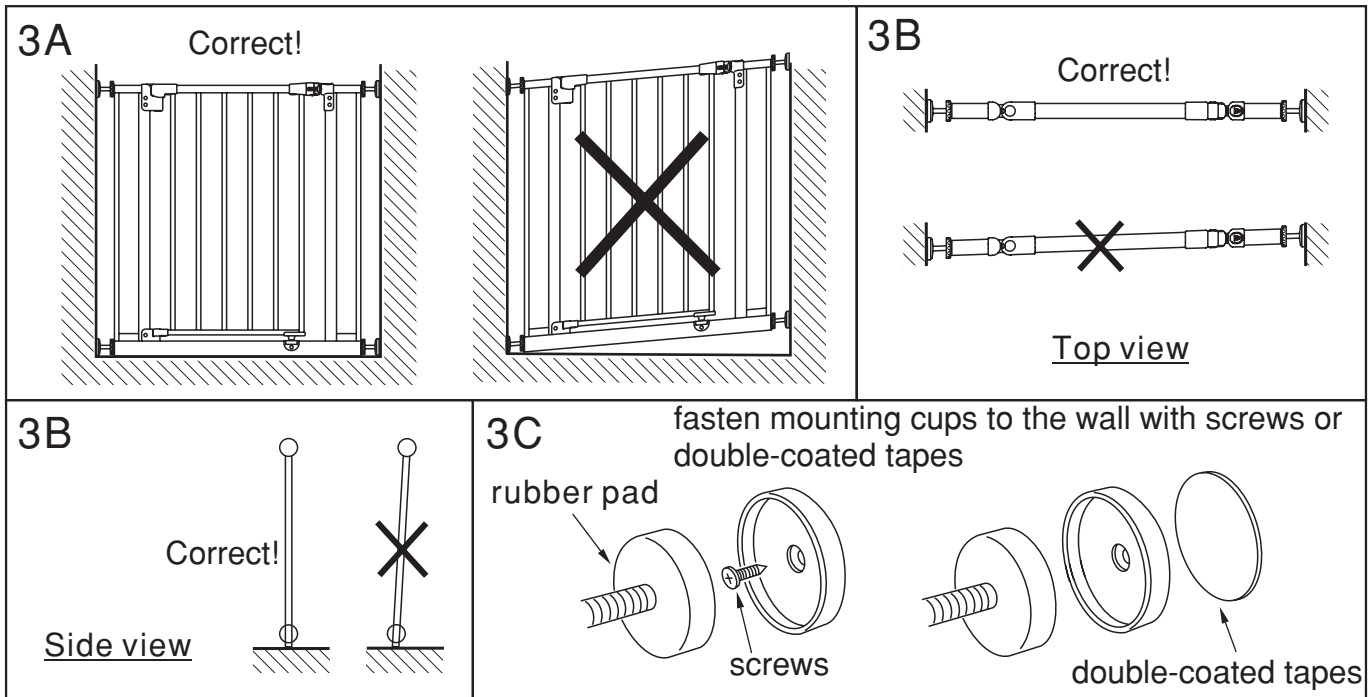


3.Place the gate in the opening so that the bottom of the gate frame is completely flat on the floor (3A). To secure the gate, fasten the mounting cups to the wall on the vertical lines from the floor with the screws or double coated tapes provided, so that the mounting cups at the top are vertically above those at the bottom (3B) (3C).

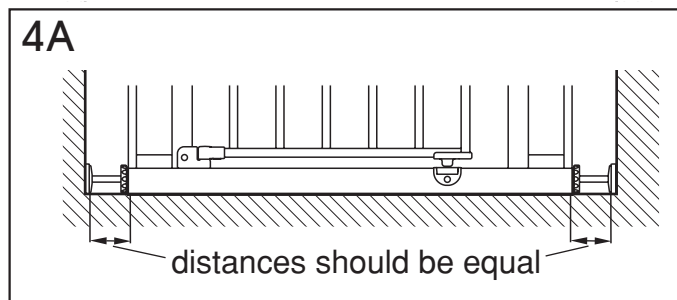
Note: Do not use this gate if it can't be installed to walls, doorframes or posts tightly and flatly. If the gate is not installed vertically, the automatic close feature will be hindered.

⚠ WARNING

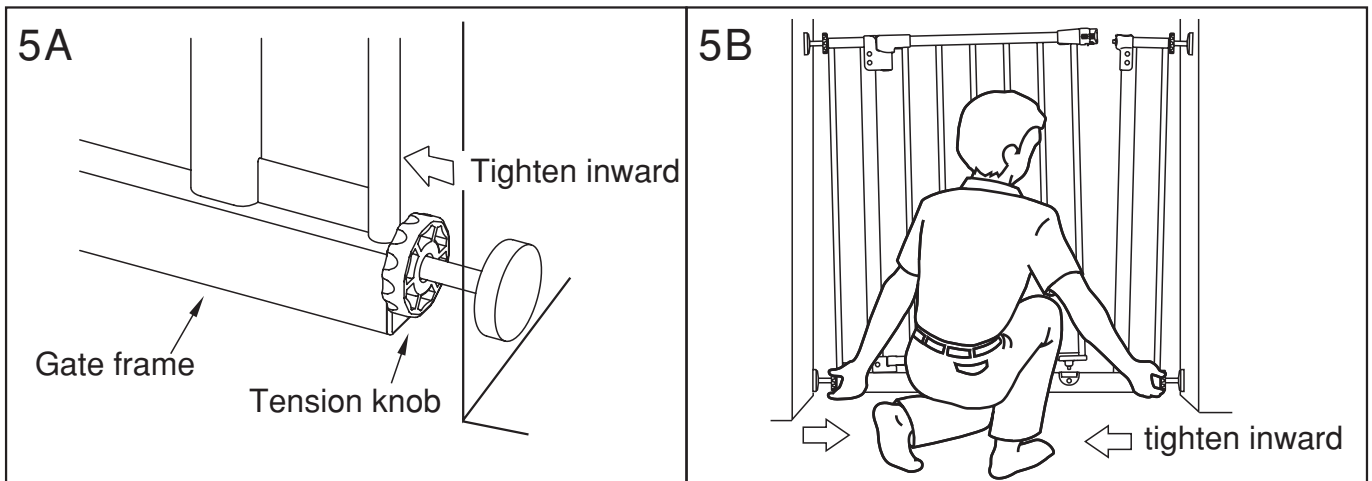
Never use without mounting cups.



4. Pull out the tension bolts with rubber pads from the gate frames or extension frames and install into mounting cups. When tightened, the distances between the 4 tension knobs and the 4 rubber pads should be equal (4A).

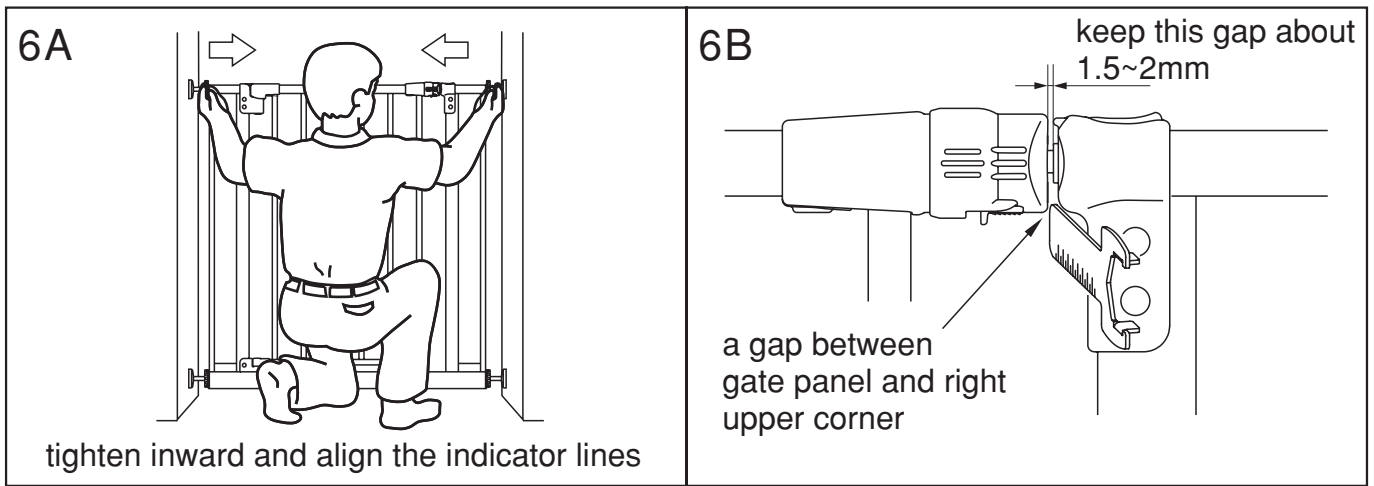


5. Tighten both of the bottom tension knobs (5A) by turning them clockwise at the same time (5B). NOTE: Make sure the bottom of the gate frame remains completely flat on the floor.

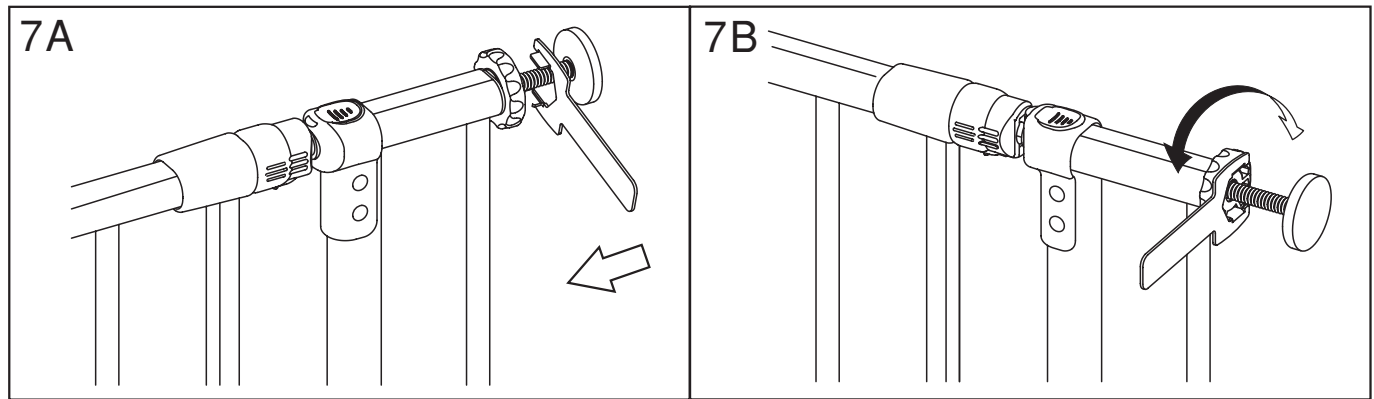


6. Next, tighten both of the tension knobs at the top at the same time by turning them clockwise (6A). Meanwhile keep the gap between gate panel and right upper corner about 1.5 mm to 2 mm (maximum 2 mm), make sure there is always a gap between gate panel and right upper corner so that the gate can fully close (6B). Beware the gate is securely fastened at both top and bottom.

Once fitted the safety gate should be checked to ensure that it is properly fixed and secured.

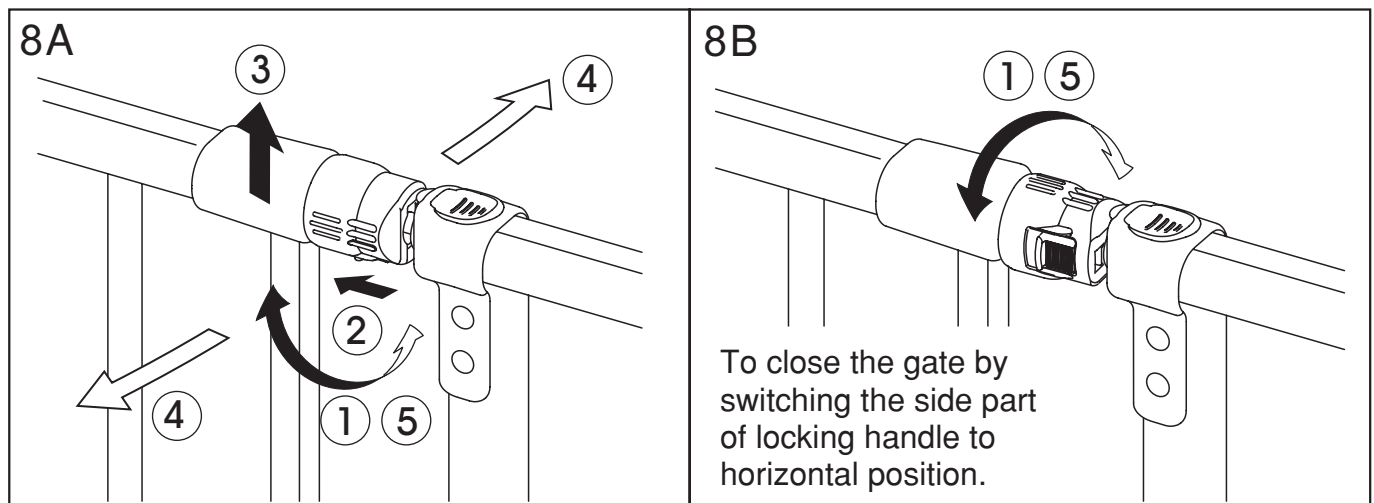


7. To use the wrench: Once the tension knobs are difficult to turn by hand, use the wrench to tighten the knobs (7A, 7B).



8. Operation for locking system :

- 1) Switch the side part of the locking handle so locking latch is on the bottom .
- 2) Press the release button in the direction of the arrow .
- 3) Lift up the gate .
- 4) Gate swings both ways with hold open feature .
- 5) For extra security , lock gate by rotating the locking latch to side position.

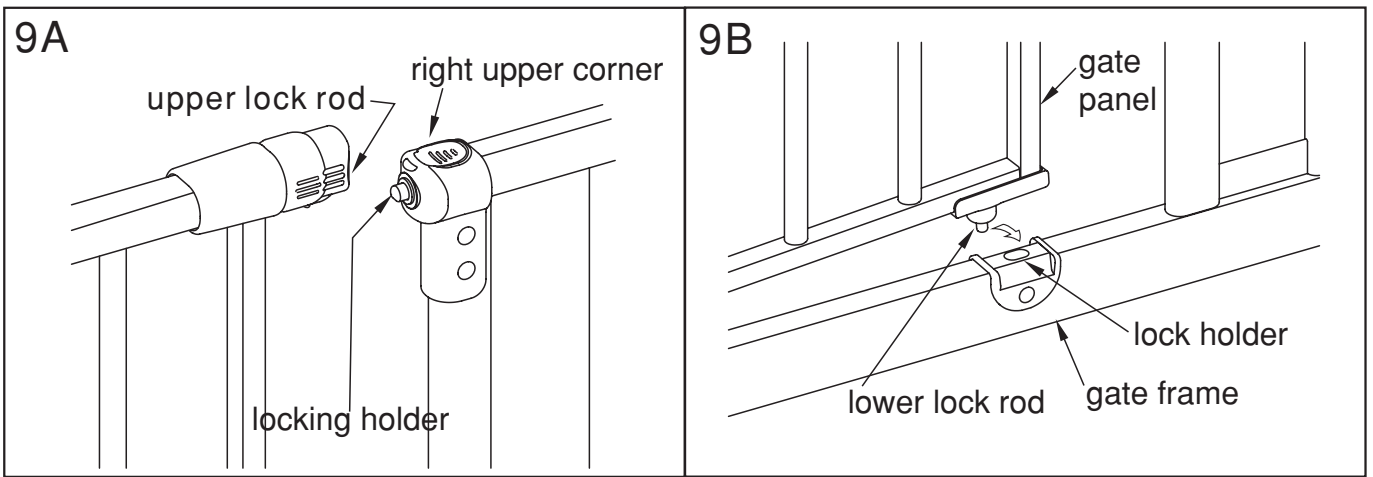


9. To close the gate, simply release the gate and it will close automatically.

Try this action several times and make sure:

- A. The upper lock rod is completely latched within the lock holder at right upper corner (9A).
- B. The lower lock rod of the gate panel fits securely into the lock holder of gate frame (9B).
- C. Tension bolts and mounting cups are securely tightened on the wall.

Note: Regularly check tension knobs and rubber pads to make sure the gate is securely in place.

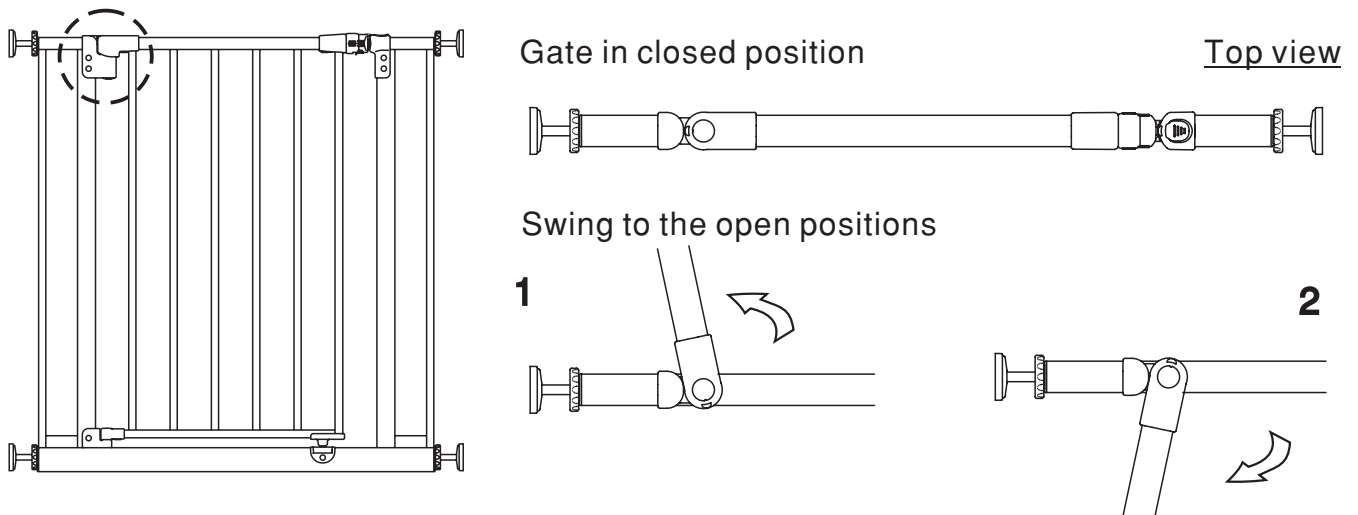


To hold the gate open for easy walk through:

⚠️ WARNING

The hold-gate-open system can be used by adults only. Once the gate is held open, the automatic closing feature of the gate will not work anymore, so your child could move back and forth without restriction.

Swing the gate to the open positions to hold the gate open for easy walk-through.(Fig.1/Fig.2)



Troubleshooting

If the gate does not stay closed:

Locking handle is too close to the corner where the locking housing is located.

Solution: Adjust the upper tension knobs by turning them outward, so that there is a proper distance between gate panel and right upper corner (6B).

If the gate does not stay in position:

Gate may not install properly as step3(3A ,3B), remove and reinstall the gate, make sure the gate is installed vertically.

CARE:

CLEANING: Clean the safety gate using warm water and a mild detergent. Use a soft cloth or sponge to avoid scratches. Never use solvents or chemicals to clean the safety gate.

WARNING

1. Do not use the product if any components are broken or missing. Do not use replacement parts other than those approved by the manufacturer or distributor. Non approved spare parts may render the repair or the product unsafe.
2. Check regularly that all fittings and components are secure and that no components are worn, broken or missing.
3. Check regularly that all fittings are securely tightened and that the locking mechanism is working properly.

Distributed exclusively in the United States by

North States Industries, Inc.
1507 92nd Lane N.E.
Blaine, MN 55449
www.northstatesind.com

Manufactured in
Guang Dong, China