

INSTRUCTIONS FOR EXTENSIONS

8662/8758/8762/8763/8771/8774/8792/8802

For use with gate models: 8661, 8666, 8668, 8669, 8657, 8690, 8730, 8750, 8751, 8759, 8761, 8766, 8769, 8770, 8779, 8800, 8801, 8804, 8807

IMPORTANT: PLEASE KEEP FOR FUTURE REFERENCE!

For helpful tips and instructions, please visit our website: www.northstatesind.com or contact our Customer Care department via email: CustomerService@northstatesind.com

Phone: (763) 486-1754 or Toll Free: (800) 848-8421

NOTE: You must always use an even number of panels to connect the Superyard as an enclosure. We do not recommend connecting more than 8 panels together for safety purposes. When using the Wall Mount Kit (sold separately) to set up as a barrier, maximum number of panels is 6.

Installation and Operation

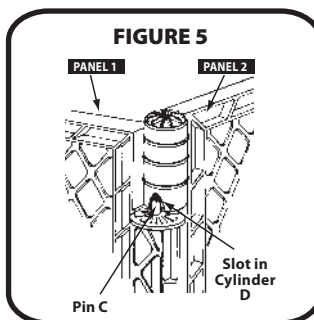
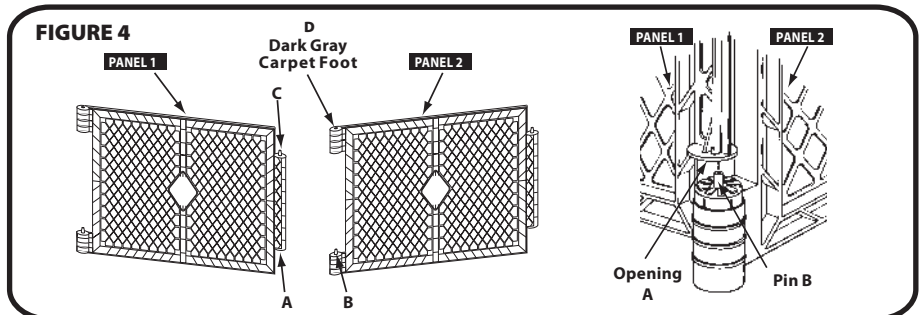
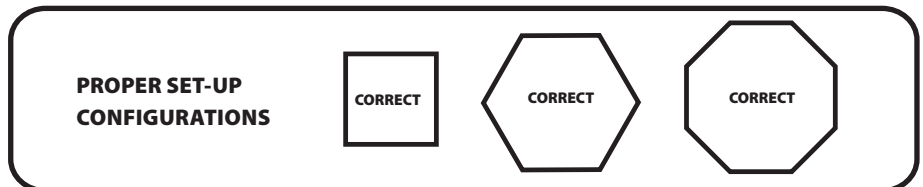
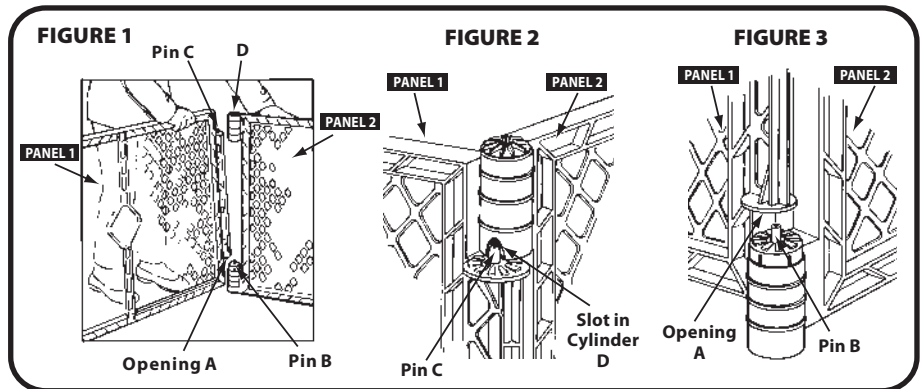
Step 1: If your Superyard is already connected together, follow these steps to disconnect your Superyard. Select one of the joints where the panel pushes down (Panel 1); see **Figure 1**. Gently press down on Panel 1 while lifting slightly on Panel 2. This will enable you to slide Pin "C" free from Cylinder D; see **Figure 2**. Lift up on Panel 1 until Opening "A" is free from Pin "B" see **Figure 3**.

Step 2: Carefully unfold the Superyard to the proper set-up configuration as shown.

Step 3: Begin connecting your extension to your enclosure by lifting Panel 1 and setting Opening "A" over Pin "B", located on Panel 2; see **Figure 4**.

Step 4: Now locate the slot on the lower end of Cylinder "D". This slot tapers to an opening that accommodates Pin "C"; see **Figure 5**. Gently press down on Panel 1 while aligning Pin "C" with the end of the slot in Cylinder "D". While maintaining downward pressure on Panel 1, lift slightly on Panel 2, and slide Pin "C" through the slot and into the opening.

Step 5: Connect the other side of the extension by following steps 3 & 4.



North States Industries, Inc.
5455 Highway 169 N
Plymouth, MN 55442
www.northstatesind.com

Made in the United States