

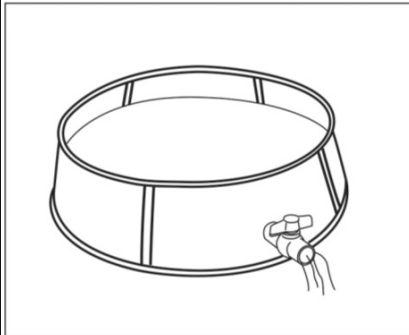
## Folding Instructions for Models 7213 / 7216

**Important: Please keep for further reference.**

For helpful tips and instructions, please visit our website: [www.northstatesind.com](http://www.northstatesind.com)  
or contact our Customer Care department via email: [CustomerService@northstatesind.com](mailto:CustomerService@northstatesind.com)

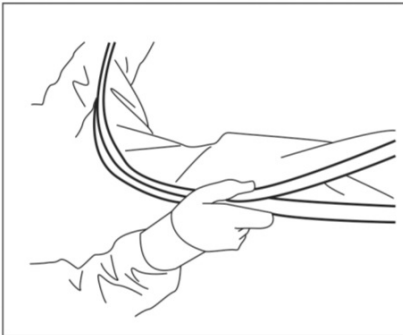
Phone (763) 486-1754 or Toll Free: (800) 848-8421

Step 1:



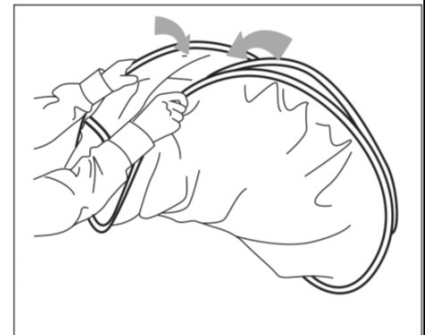
Empty the pool of water and allow to dry thoroughly.

Step 2:



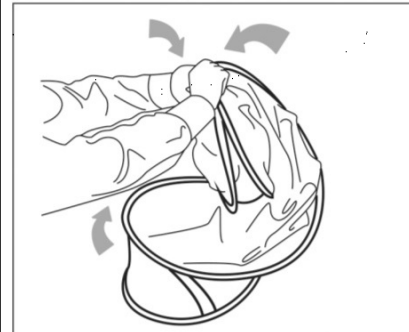
Approximately 1/3 of the way across the width of the pool, clasp the top & bottom frame together in each hand.

Step 3:



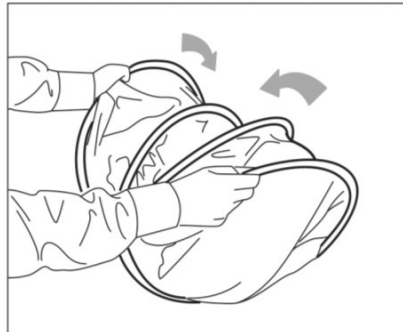
Bring your hands together to form a U shape in the pool.

Step 4:



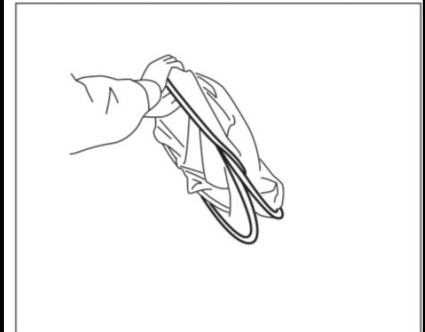
Cross your hands over at the top & gather both frame sections together in one hand.

Step 5:



The loops at the base may now be gathered together.

Step: 6



Hold carefully & place in the carry bag.

Distributed exclusively in the United States by  
North States Industries, Inc.  
5455 Highway 169 N  
Plymouth, MN 55442  
[www.northstatesind.com](http://www.northstatesind.com)

Manufactured in  
China