

Instructions for Extensions 5520 / 5521 / 5522 / 5523

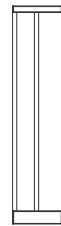
For use with gate models: 5501, 5502, 5503

IMPORTANT: PLEASE KEEP FOR FUTURE REFERENCE!

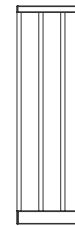
For helpful tips and instructions, please visit our website: www.northstatesind.com
 or contact our Customer Care department via email: CustomerService@northstatesind.com
 Phone: (763) 486-1754 or Toll Free: (800) 848-8421



1-Bar
3" Extension
(2 extensions included with gate)



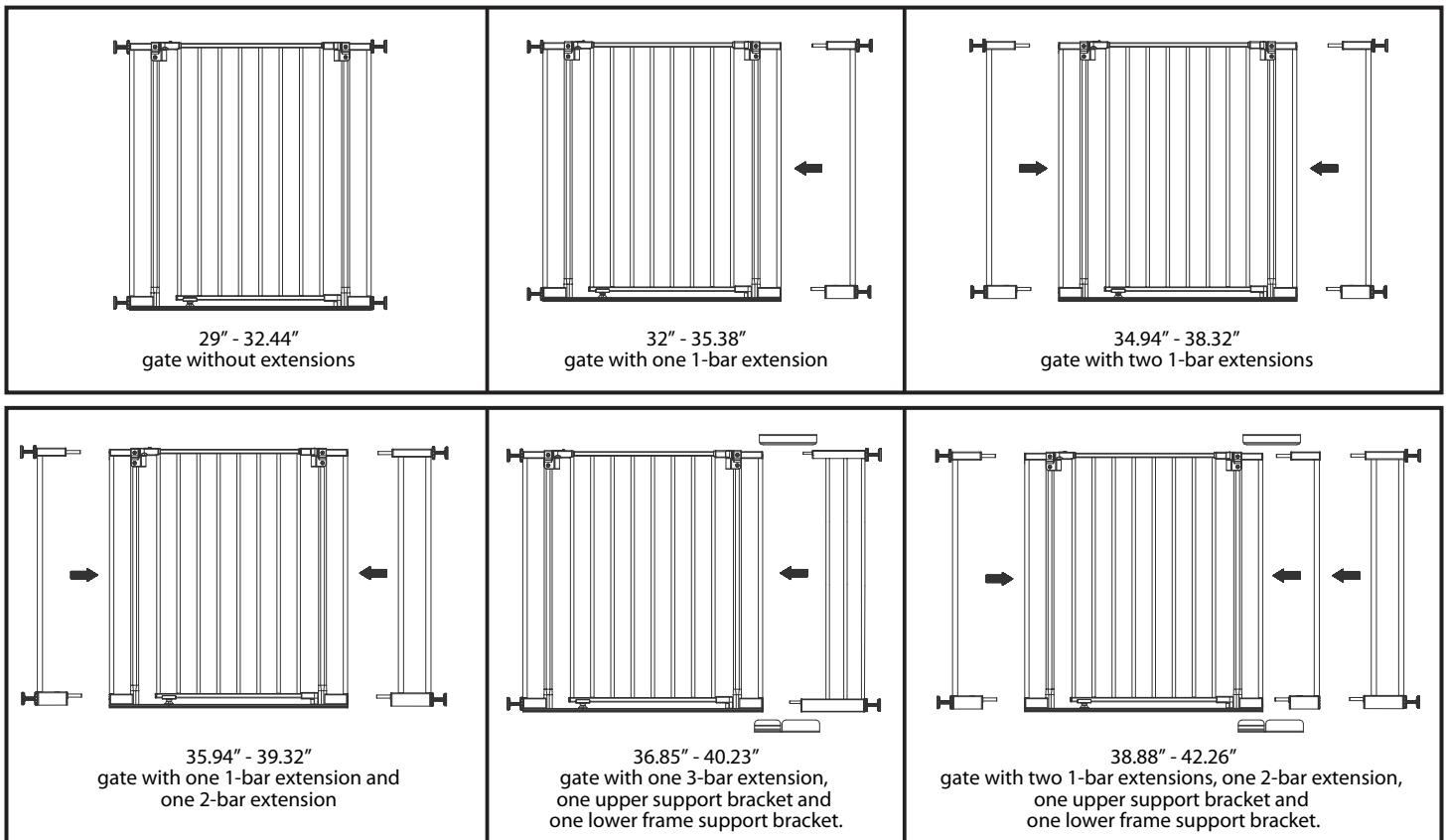
2-Bar
4" Extension
5520 (Black), 5521 (White)
(sold separately)

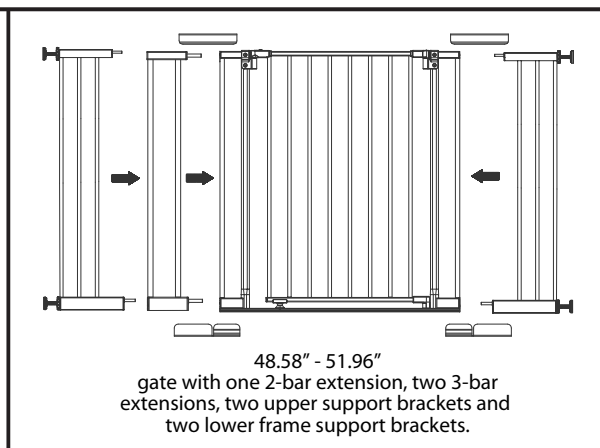
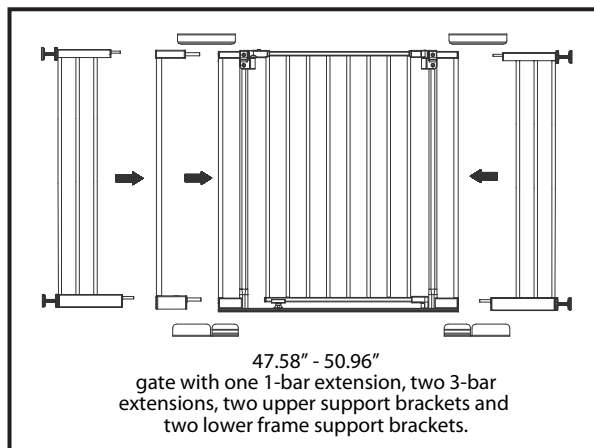
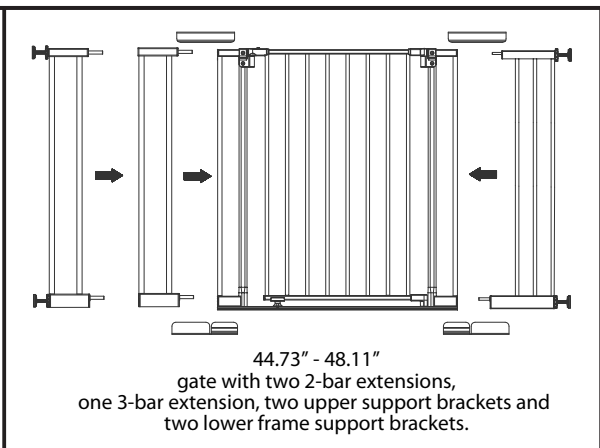
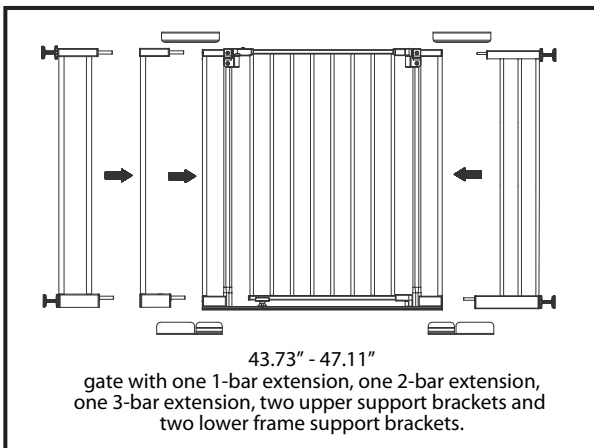
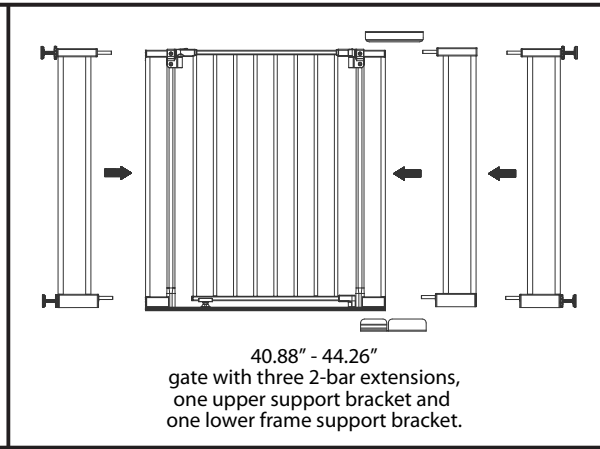
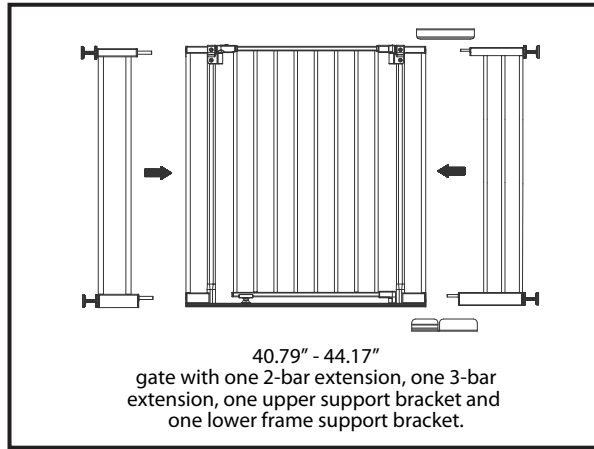
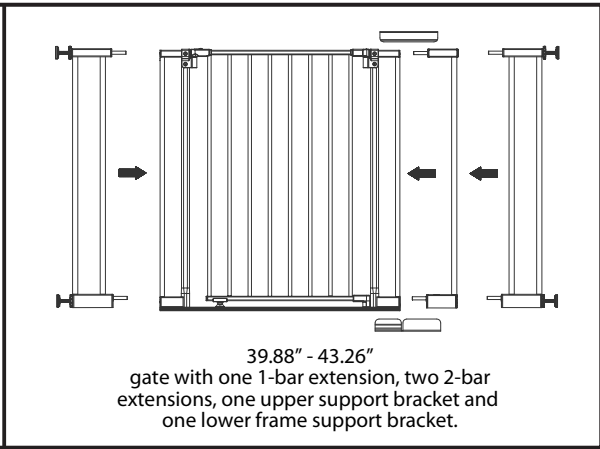
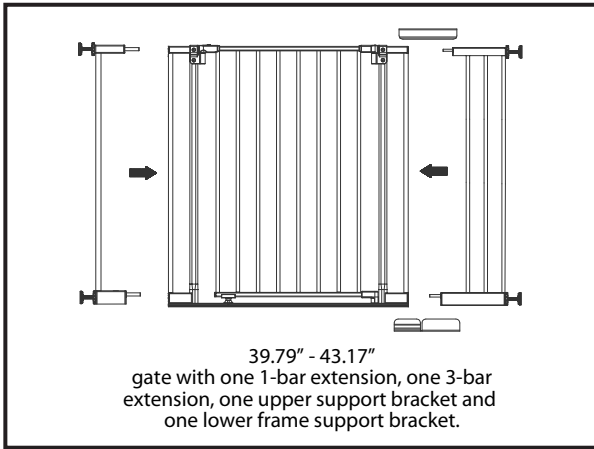


3-Bar
8" Extension
5522 (Black), 5523 (White)
(sold separately)

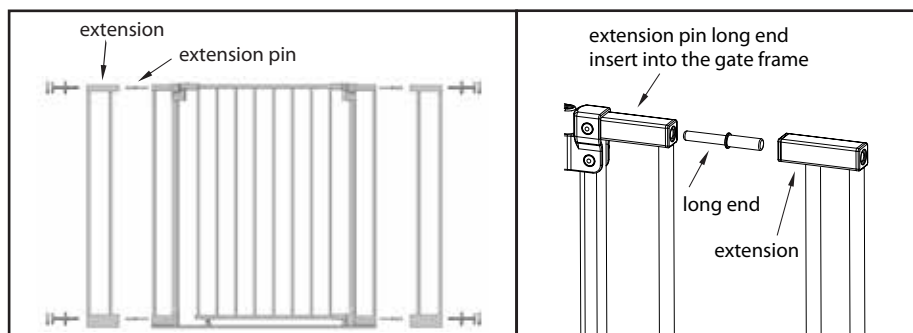
Installation and Operation

Step 1 Measure the width of the opening where you intend to install the gate. Please refer to the charts on page 1-2 to determine the correct installation configuration.



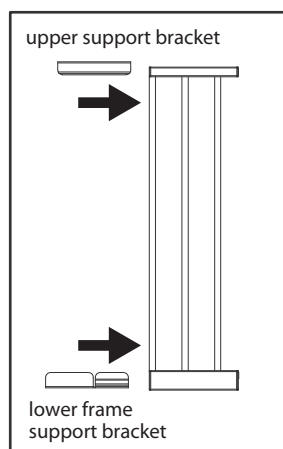


- Step 2**
- Lay the gate on a flat surface. Insert extension pins into holes on the outside of the gate frame. **NOTE:** the longer ends of the pins go into the gate frame, the shorter ends go into the extension.
 - Slip extensions over the pins.



NOTE: When using multiple extensions, place as equally as possible on either side of the gate frame. The maximum number of extensions that can be used with this gate is three.

- Step 3**
- When using 3-bar extensions or more than one extension on the same side of the gate, **ALWAYS** use provided support bracket(s).
 - Starting on the outside of the extensions, slide the Lower Frame Support Bracket(s) onto the lower extension bar until it covers the joint.
 - Slide the Upper Support Bracket(s) onto the upper extension bar until it covers the joint(s).



- Step 4**
- Continue the installation steps included with your gate.

Distributed exclusively in the United States by
 North States Industries, Inc.
 5455 Highway 169 N
 Plymouth, MN 55442
www.northstatesind.com

Manufactured in Vietnam