

north states™

*Quality Products
for the way you live*

INSTRUCTIONS FOR MODEL 4930



IMPORTANT: PLEASE KEEP FOR FUTURE REFERENCE!

For helpful tips and instructions, please visit our website: www.northstatesind.com or contact our Customer Care department via email: info@northstatesind.com

Phone: (763) 486-1756 or Toll Free: (800) 848-8421

Intended for use with children 6-24 months

3-In-1 Metal Superyard

IMPORTANT: Retain for future reference - Read carefully

Read the entire Instruction manual before assembling and installing this product.

If you sell or give away this product, make sure you give this instruction manual to the new owner. Thank you.

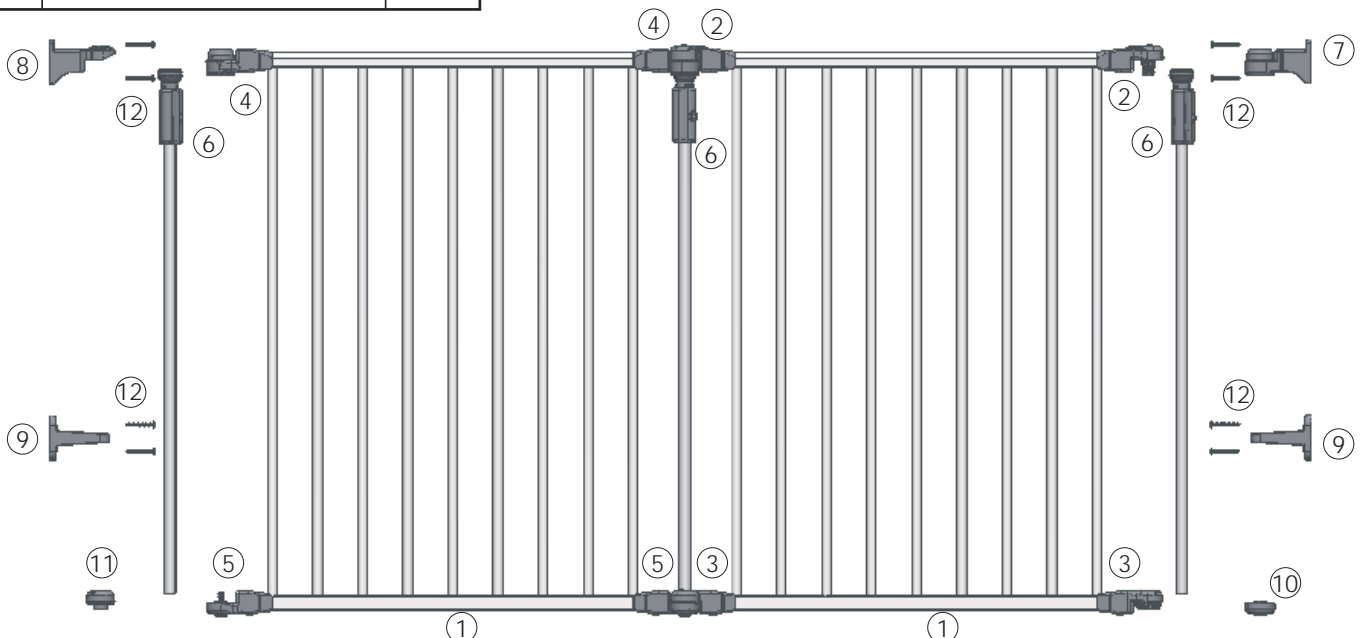
This 3-in-1 Superyard complies with ASTM F1004

⚠ WARNING

- TO PREVENT SERIOUS INJURY OR DEATH, SECURELY INSTALL 3-IN-1 SUPERYARD AND USE ACCORDING TO MANUFACTURER'S INSTRUCTIONS.
- NEVER USE WITH A CHILD ABLE TO CLIMB OVER YARD OR DISLODGE/OPEN THE GATE.
- THIS PRODUCT WILL NOT NECESSARILY PREVENT ALL ACCIDENTS.
- KEEP AT LEAST 2 FEET FROM OPEN FLAME OR HEAT SOURCE.
- NEVER LEAVE CHILD UNATTENDED.
- USE ONLY WITH THE LOCKING/LATCHING MECHANISM SECURELY ENGAGED AND ON SIDE AWAY FROM CHILD.
- THIS PRODUCT INTENDED FOR USE WITH CHILDREN FROM 6 MONTHS UP TO 24 MONTHS OF AGE.
- STOP USING 3-IN-1 SUPERYARD IF ANY PARTS ARE MISSING OR BECOME DAMAGED.
- TO PREVENT FALLS, NEVER USE AT TOP OF STAIRS.
- HARDWARE IS INCLUDED FOR USE IN SOLID MATERIALS ONLY, SUCH AS WOOD OR METAL.
- NEVER LEAVE ANYTHING IN THE 3-IN-1 SUPERYARD THAT COULD PROVIDE A FOOTHOLD OR CREATE A DANGER OF SUFFOCATION OR STRANGULATION.

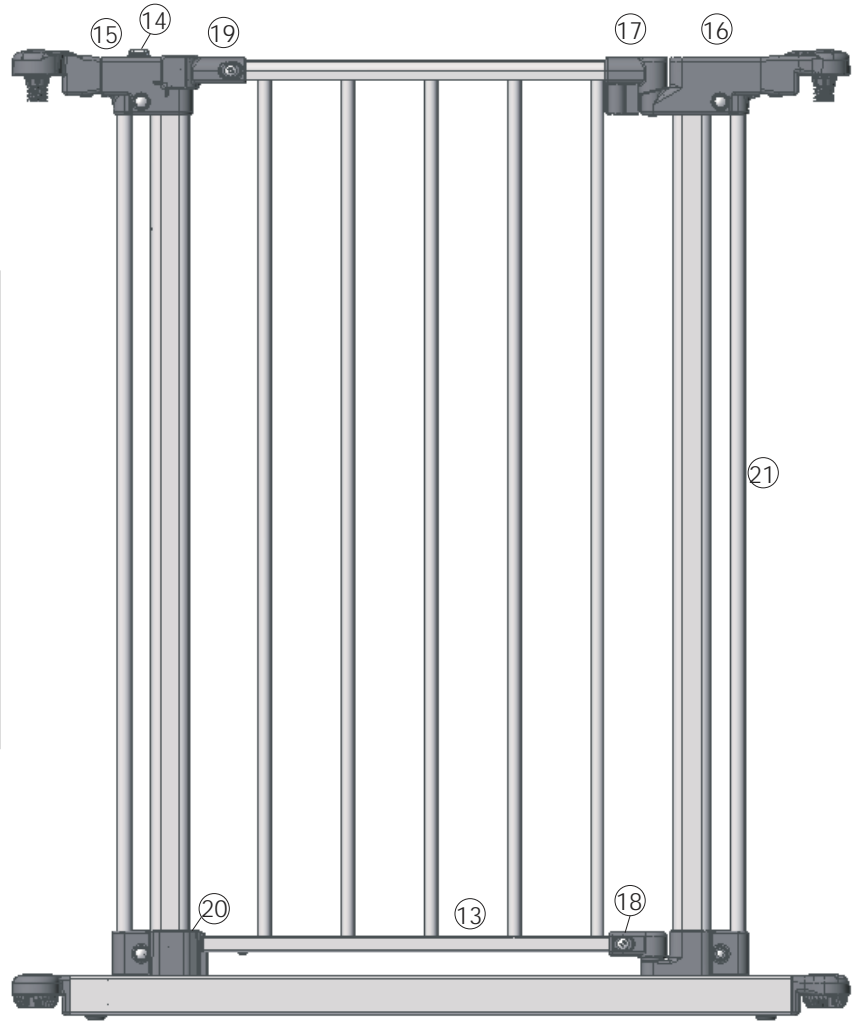
Part list

NO.	Part Name	Qty.
1	Gate Panel	5
2	Upper hinge housing	6
3	Lower hinge housing	6
4	Upper hinge holder	6
5	Lower hinge holder	6
6	Removable vertical bar	7
7	Wall fitting - A	1
8	Wall fitting - B	1
9	Wall fitting - C	2
10	Floor Spacer - D	1
11	Socket Cap - E	1
12	Screws	8



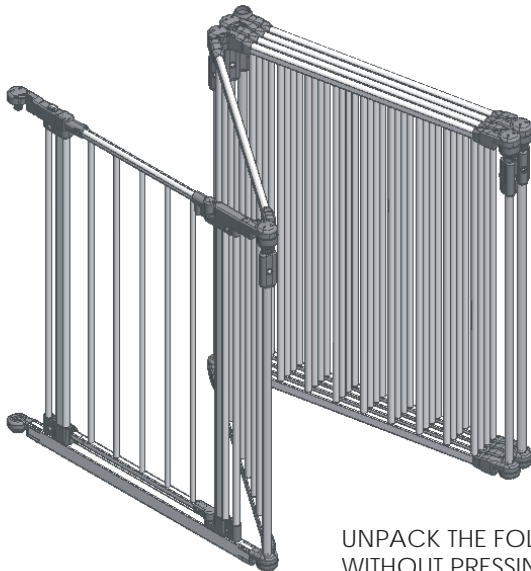
GATE PANEL

NO.	Part Name	Qty.
13	Door panel	1
14	Release button	1
15	Left upper corner	1
16	Right upper corner	1
17	Door upper hinge	1
18	Door lower hinge	1
19	Upper locking housing	1
20	Lower locking housing	1
21	Door frame	1



Assembly[Superyard]

FIGURE 1



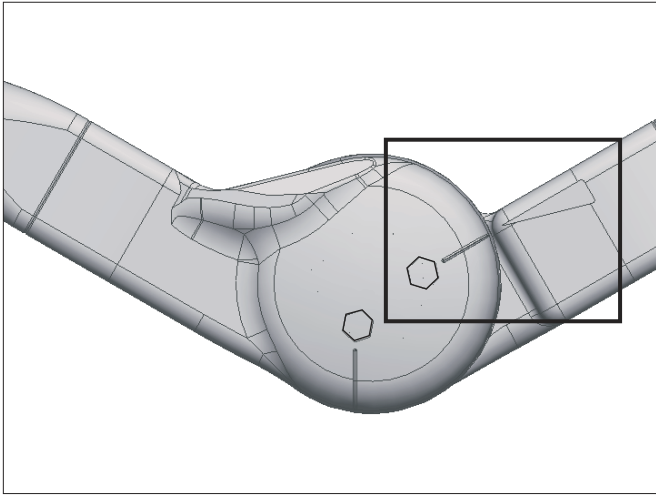
UNPACK THE FOLDED SUPERYARD WITHOUT PRESSING ANY BUTTON.



POSITION AND ADJUST THE SECTIONS INTO A HEXAGON.

NOTE: THE SUPERYARD SHOULD BE PLACED ON A FLAT SURFACE.

FIGURE 2



TURN SECTIONS TO ALIGN
HEXAGONAL MARK WITH ARROW
ON OPPOSITE HINGE.

FIGURE 3

TO CONNECT END
SECTION, ALIGN END
SECTION WITH BOTH
TOP AND BOTTOM
HINGES CONNECTED
IN POSITION.

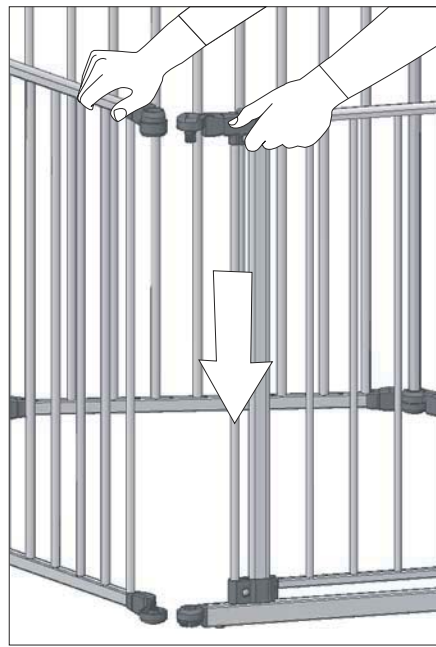


FIGURE 4A



INSERT THE BAR INTO
GROOVE OF LOWER
HINGE.

PRESS "A" DOWN
AND SLIDE IT INTO
UPPER HINGE.

FIGURE 4B

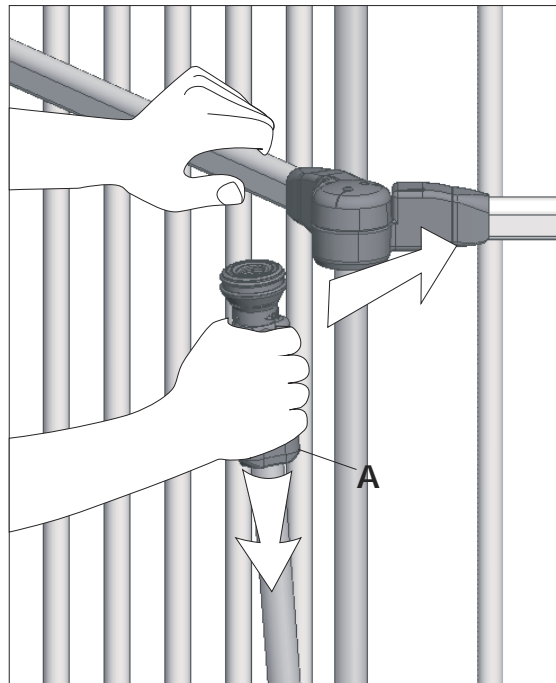


FIGURE 4C



TURN EACH TOP HINGE TO MAKE BAR LOCK IN PLACE.

FIGURE 5



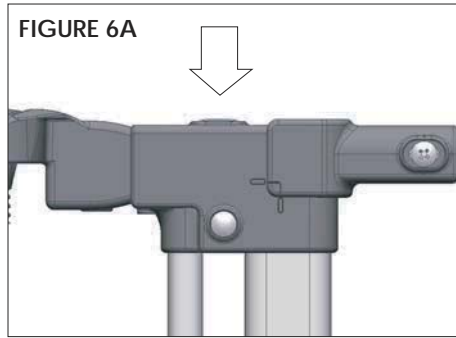
FINISH ASSEMBLY.

Operation

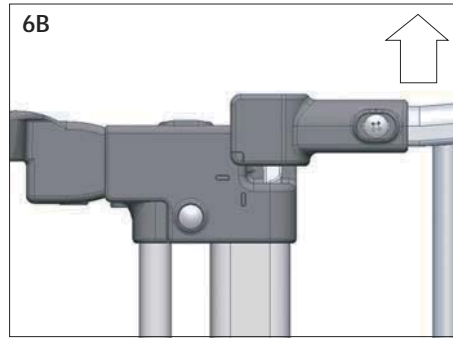
TO OPEN

Procedure to open gate:

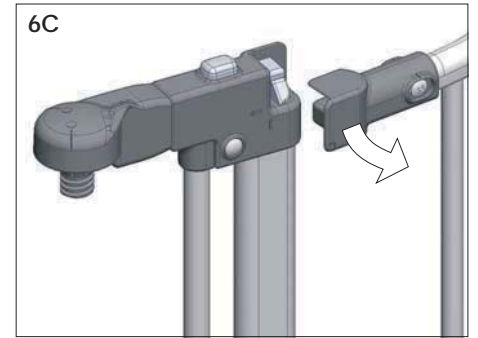
6A. Press the release button.



6B. Lift the gate panel upward.



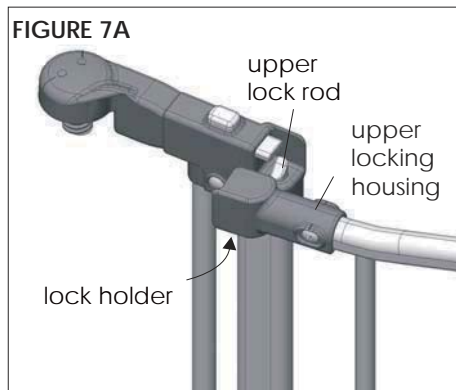
6C. Swing gate open.



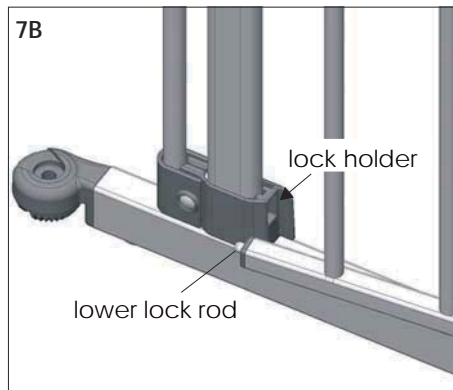
TO CLOSE

To close the door gate, release it and it will close automatically.

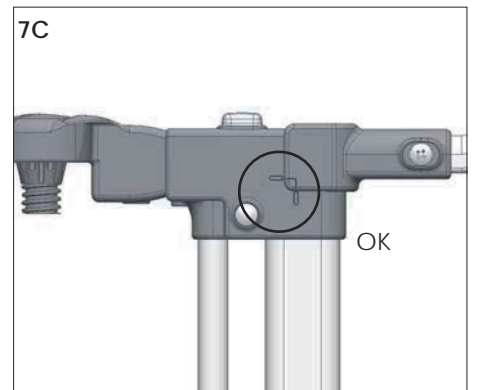
Try this action several times and make sure:



7A. The upper lock rod is completely latched within the lock holder at upper locking housing.



7B. The lower lock rod of the gate panel fits securely into the lock holder of gate frame.

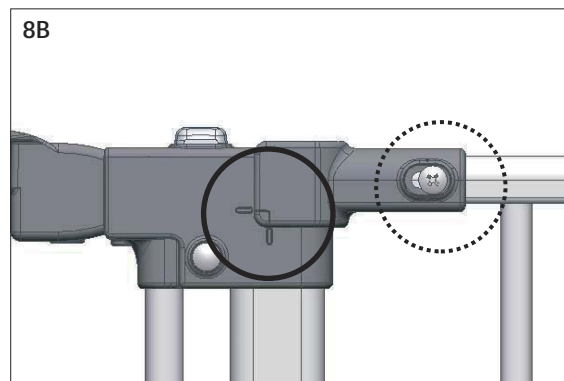
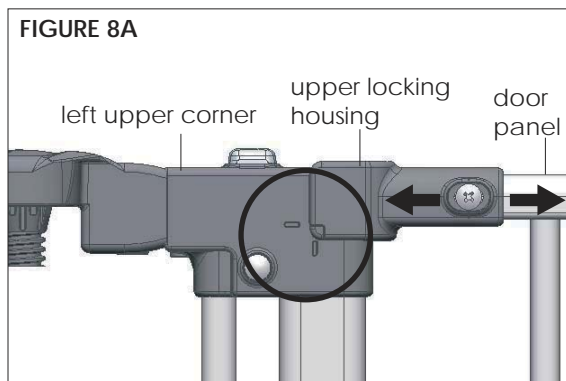


7C. The mark on the left upper corner should be aligned with the mark on the upper locking housing.

NOTE: Always check to make sure the gate is securely locked after closing.

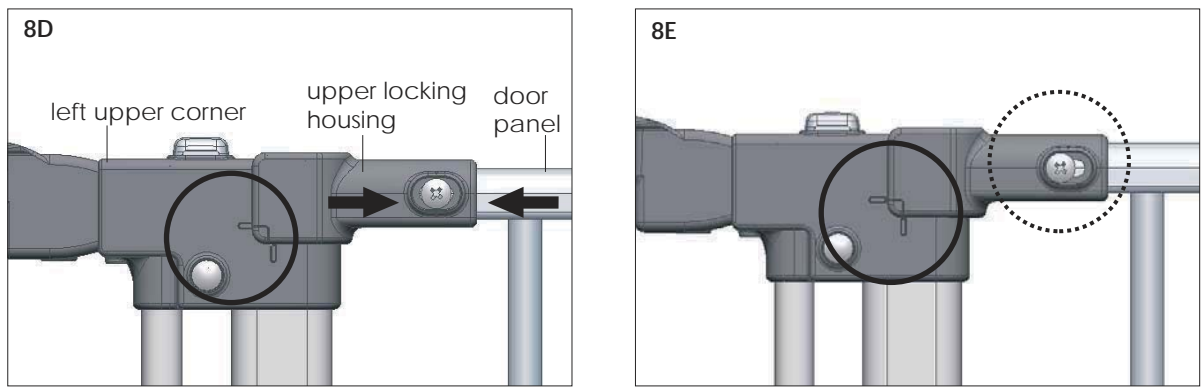
If the mark of left upper corner does not align with the mark of upper locking housing, please do the adjustments below to make certain that the door panel can be auto closed.

If the upper locking housing moves toward the left, please release the screw on upper locking housing, then press the door panel and upper locking housing to right and left sides until the two marks are aligned. Make sure the screw is retightened.

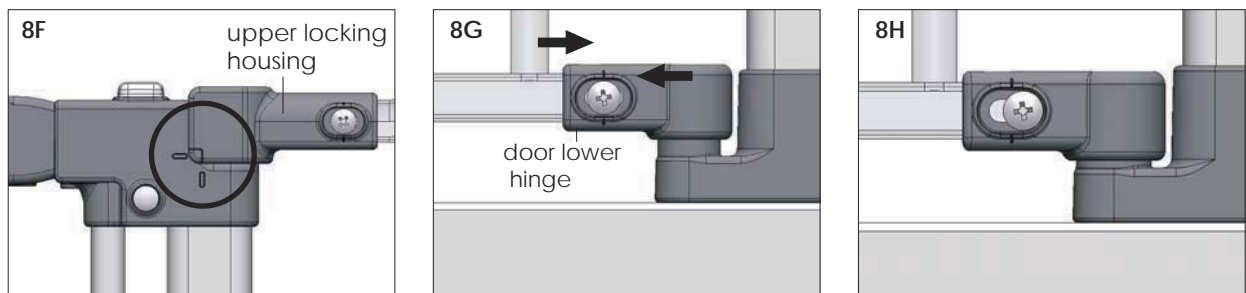


NOTE:
Please use two screwdrivers when tightening or untightening the screws.

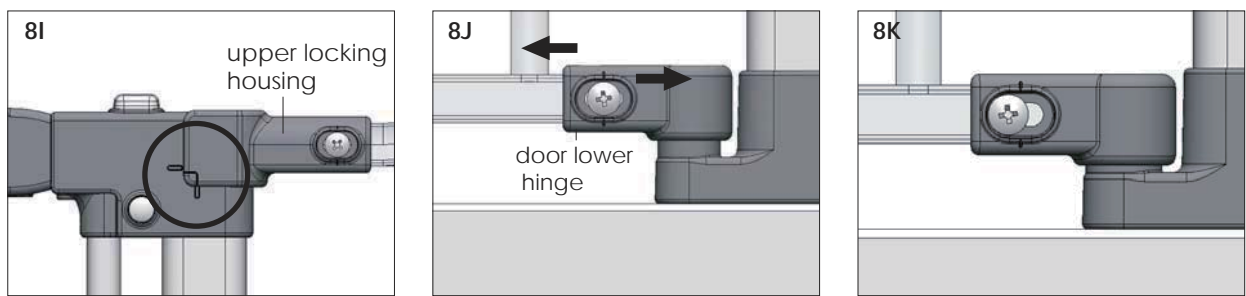
If the upper locking housing moves toward the left, please release the screw on upper locking housing, then press on the door panel and the upper locking housing until the two marks are aligned. Make sure the screw is retightened.



If the upper locking housing moves upward, please release the screw on door lower hinge, then press the door panel and the lower door hinge inwards until the two marks on the left corner are aligned. Make sure the screw is retightened.



If the upper locking housing moves downward, please release the screw on door lower hinge, then press the door panel and door lower hinge to right and left sides until the two marks on the left corner are aligned. Make sure the screw is retightened.

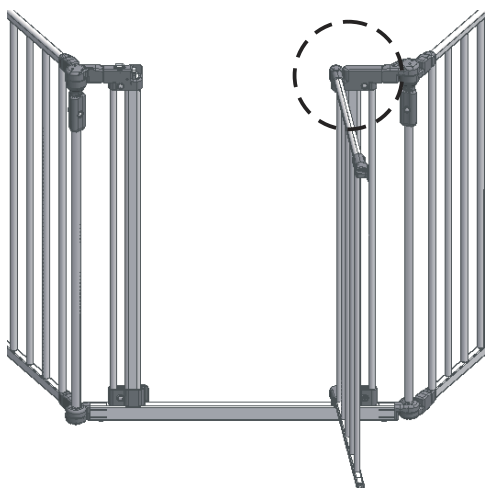


HOLD-GATE-OPEN SYSTEM

The hold-gate-open system is for adult use only. Once the gate is held open, the automatic closing feature of the gate will not work anymore, so your child could move back and forth without restriction.

Swing the gate to the open position to hold the gate open for easy access.

FIGURE 9A



Gate in closed position.

9B



Swing to the open position.

9C



Assembly

WALL MOUNTING

Wall fittings - A side

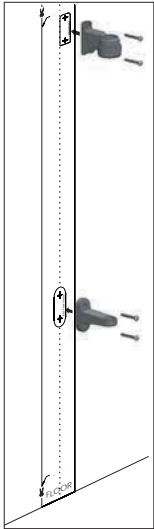
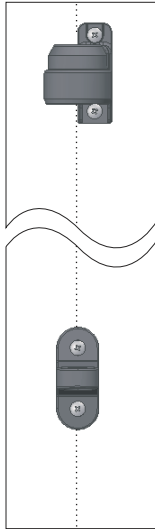
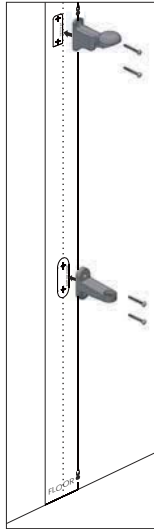


FIGURE 10A

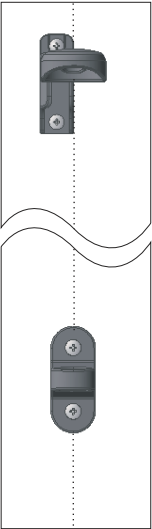


10B

Wall fittings - B side

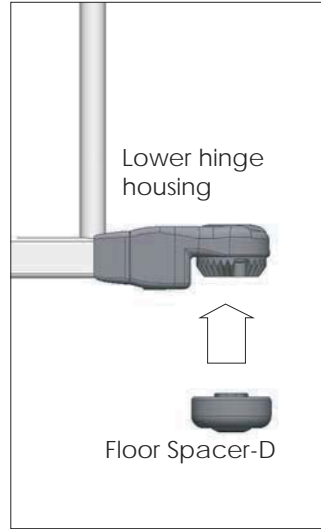


10C



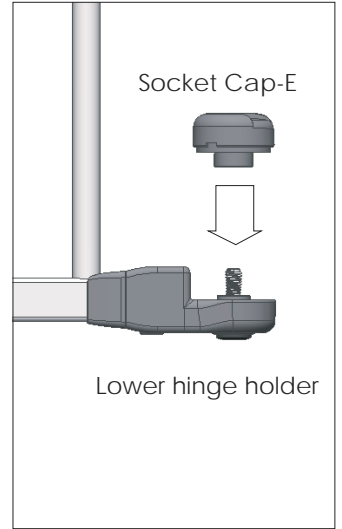
10D

Wall fittings - A side



10E

Wall fittings - B side



10F

Locate the template vertical to the floor and mark the screw holes. Mount the wall fittings A, B, C onto the wall with screws included.

Fix floor spacer-D to lower hinge housing. Fix socket cap-E to lower hinge holder.

NOTE:

Please leave at least 0.4" from wall fittings to the wall [11A]. Do not assemble the wall fittings as [11B]

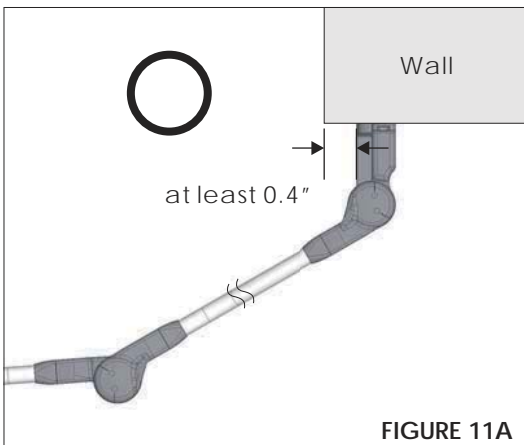
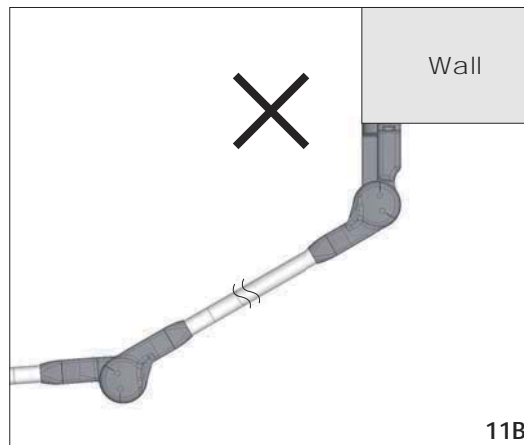


FIGURE 11A



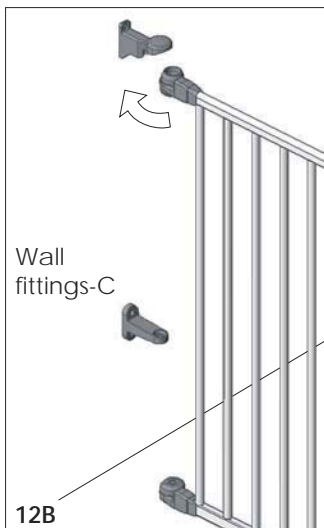
11B

Wall fittings - A side



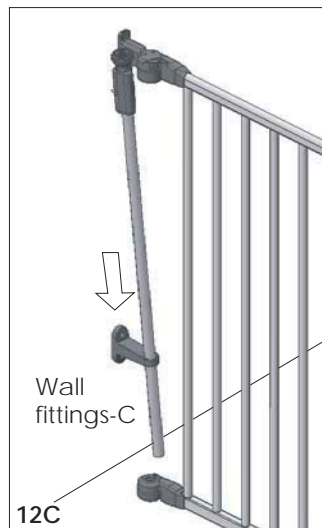
FIGURE 12A

Wall fittings - B side



12B

Wall fittings - A side



12C

Wall fittings - B side



12D

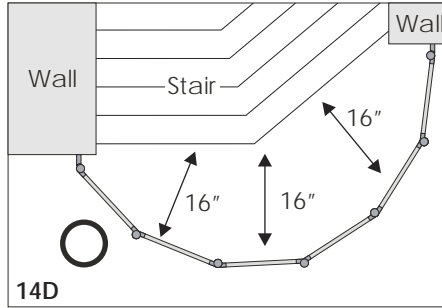
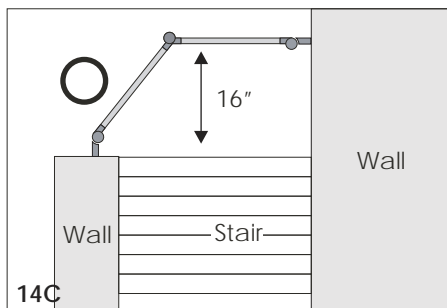
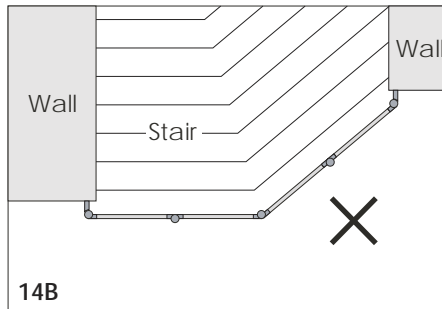
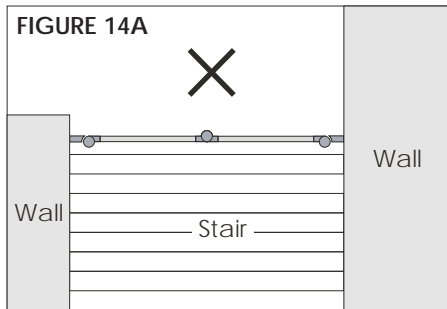
Place panels on the mounted wall fittings.

Insert removable vertical bars through wall fitting-C on both sides of Superyard. Place the bars in lower hinge housings.



Fix the bars into the upper hinge housings.

- NOTE:
- The gate must be placed away from the stairs so that a child will not be able to reach the bottom stair and crawl over the gate [14C, 14D].
 - The gate must be set up in a curve away from the stairs. There must be a minimum distance of 16" from gate to stairs [14C, 14D].



Troubleshooting

If the gate does not stay closed:

Verify that the mark on the upper left corner of the gate is aligned with the mark on the upper locking housing. Please adjust as shown in Figure 8 to ensure that the gate can be auto closed.

Care

CLEANING:

Clean the Superyard using warm water and a mild detergent. Use a soft cloth or sponge to avoid scratches. Never use solvents or chemicals to clean the Superyard.

ATTENTION:

- Regularly check that all fittings and components are secure and that no components are worn, broken or missing.
- Regularly check that all fittings are securely tightened and that the locking mechanism is working properly.
- Do not use the product if any components are broken or missing.
- Replacement parts should only be obtained from:

North States Industries
 1507 92nd Lane N.E., Blaine, MN 55449-4334
 763-486-1756
 www.northstatesind.com